



## **DESCRIPTION**

CAT6A FTP 24-port patch panel, 110 type, matches and exceeds CAT6A 500MHZ connecting hardware specifications, comply with Gigabit Ethernet applications, suitable for interaction and termination of horizontal cabling between devices, equipment and centralized points

## **APPLICATION**

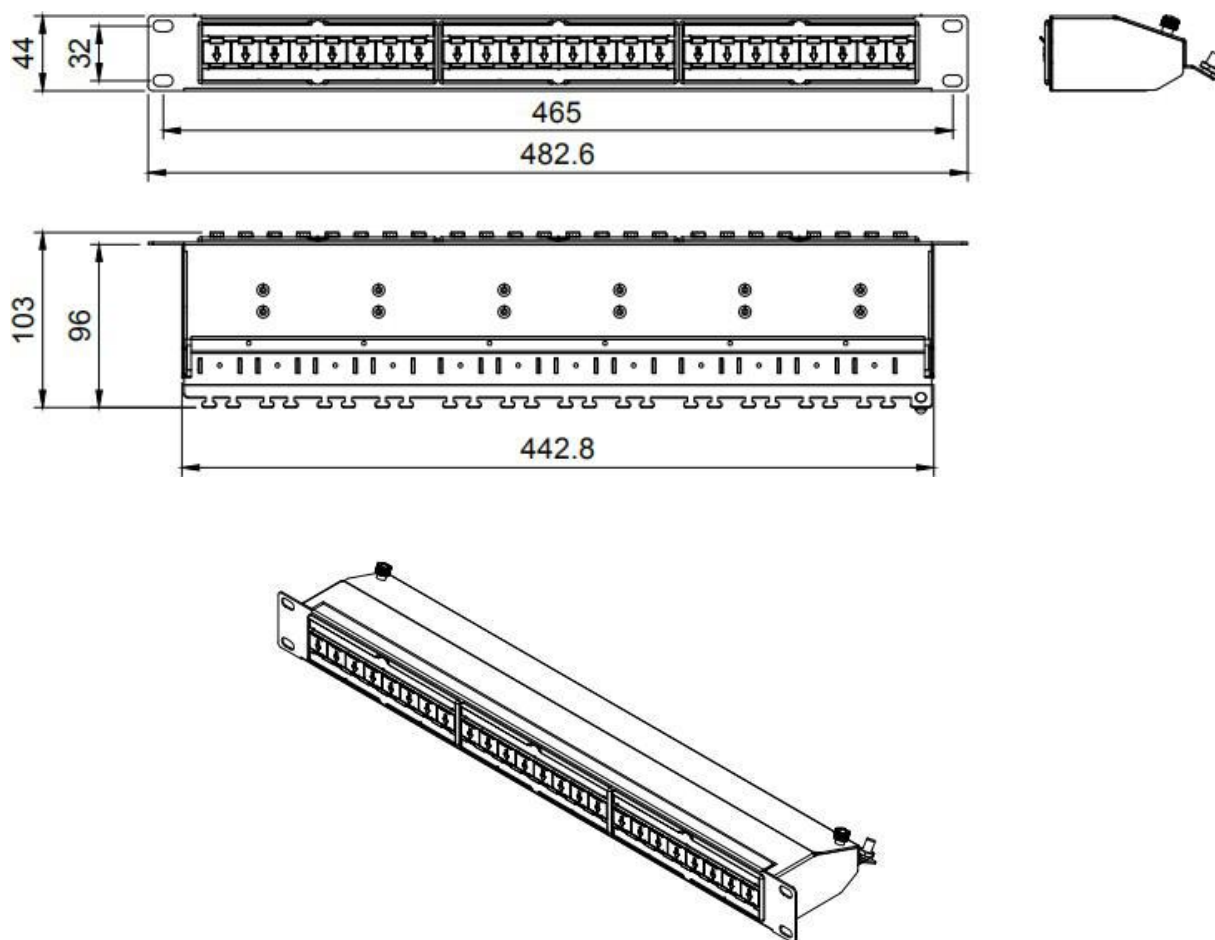
- Unique exterior design, simple, compact and beautiful
- High strength die-casted zinc alloy shielding design meets the industry shielding standards
- 110 krone punch down tools are available
- solid and corrosion phosphor bronze IDC enables over 250 terminations
- Unique PCB circuit board design reduces EMI/RFI interference, low attenuation loss and high return loss
- Solid and easy installation design saves installation and operation costs
- Be compatible with 19-inch equipment racks, cabinets and wall mount shelf
- All ports are clearly labeled, especially the large in the front are helpful for ports identification
- Durability is 1500 matching recycles
- With cable management in the rear for effective guidance of cables and termination points
- With backward compatibility of CAT6 and lower classes

**Ningbo Doppler Communication Co., Ltd.**

**No.86 Fengyi Road, Economic Development Zone, Yuyao Zhejiang 315400**

*Ningbo Doppler Communication Co. Ltd. reserves the right to change specifications without prior notice*

## PRODUCT DIMENSION



## CONSTRUCTION

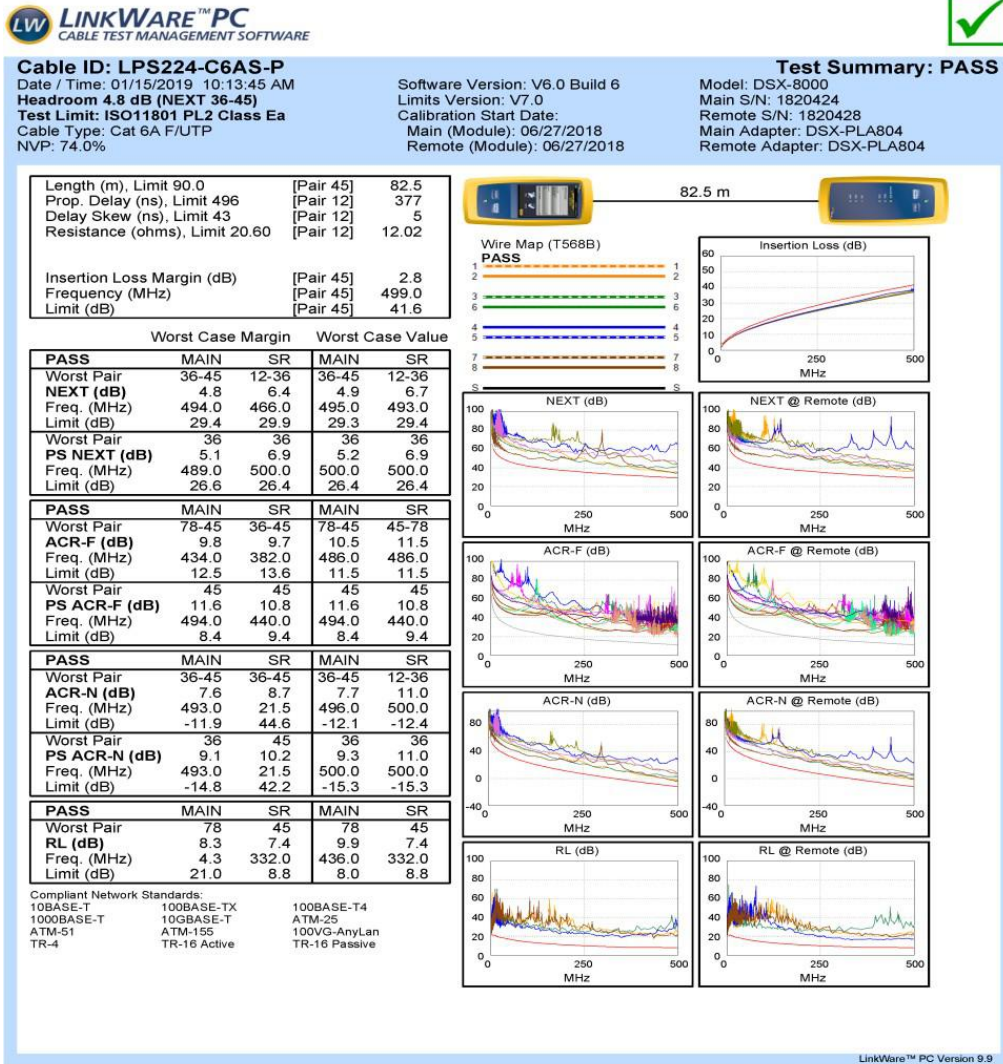
Description	Parameter
Contact resistance(max)	20mΩ
Insulation resistance(min)	500MΩ
Return loss(dB)	7.4dB

Ningbo Doppler Communication Co., Ltd.

No.86 Fengyi Road, Economic Development Zone, Yuyao Zhejiang 315400

Ningbo Doppler Communication Co. Ltd. reserves the right to change specifications without prior notice

**PRODUCT PERFORMANCE**



**ORDER INFORMATION**

Part No.	Description	Color	Inner Box	Carton	Carton measurement (L*W*H)	Weight
LPS224-C6AS-F-P	CAT6A FTP 24-port patch panel	Grey	1PCS	10PCS	53cm× 31cm × 23cm	10.00KG

Ningbo Doppler Communication Co., Ltd.

No.86 Fengyi Road, Economic Development Zone, Yuyao Zhejiang 315400

Ningbo Doppler Communication Co. Ltd. reserves the right to change specifications without prior notice